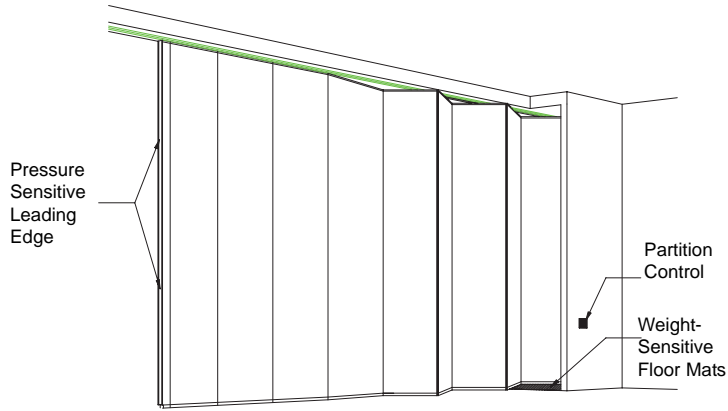


OPTIONS SPECIFICATIONS

Hufgard Safety System - Use with Electric Operable Partitions



Note: The Hufgard system may be ordered with only the pressure sensitive leading edge, only the weight-sensitive floor mats, or a combination of both.

PRODUCT OVERVIEW:

Hufgard is recommended for use with electrically operated operable partitions. This option provides an extra element of safety -- always a concern, especially in areas where children may be present during the partition operation.

The Hufgard safety system stops the movement of the partition if there is an obstruction at the leading edge when the partition is being extended or in the stack area, when the partition is being stored.

Choose only the leading edge, only the mats, or both options based on your needs.

- Pressure sensitive leading edge protects against personal injury and property damage while the electric partition is extending.
- Weight sensitive mats in the stack area prevent personal injury and property damage when the partition is being stacked in a pocket.

1.06 WARRANTY

A. Hufgard shall be guaranteed for two years against defects in material and workmanship **and must be serviced annually by a certified Hufcor Service Representative. Malicious damage and damage resulting from delays in reporting malfunctions are excluded from this warranty.**

PART 2 - PRODUCTS

2.01 ACCEPTABLE MANUFACTURERS

A. Upon compliance with all of the criteria specified in this section, Manufacturers wishing to bid products similar to the product specified must submit to the architect 10 days prior to bidding complete data in support of compliance and a list of three past installations of products similar to those listed. The submitting manufacturer guarantees the proposed substituted product complies with the product specified and as detailed on the drawings.

2.02 MATERIALS

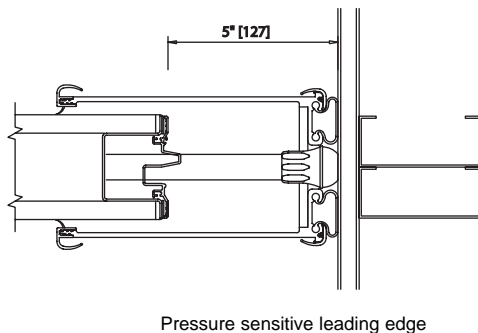
A. Product to be Hufgard Safety System as manufactured by Hufcor, Inc. The Hufgard option is to be used only with Hufcor electrically operated operable partitions.

1. The pressure sensitive leading edge shall be mounted to the first panel. It covers the full height of the panel edge to within 2" [51] of the floor.
2. Pressure sensitive mats are located on both sides of the track in the stack area. Mats are to be recessed in the floor. The mat edges are covered and secured to the floor with a metal edge trim. The mats are fused to protect the components. They are 12 volt AC and connected to the Hufgard system with hard wiring.
3. The system is hard wired panel-to-panel with 16 gauge three conductor SJO cord. The conductor cord exits at the top of the stack panel and is connected to the control box.
4. The Hufgard control box is mounted above the ceiling near the operable partition motor unit.
5. No remote controls or batteries are required.

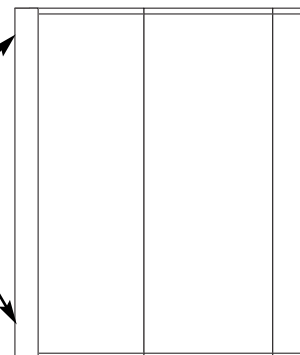
2.03 FINISHES

- A. The faces of the pressure sensitive edge assembly shall be finished with the same material as the operable partition surfaces.
- B. The mats will be black and the metal mat trim will be silver in color.

(cont'd)



Pressure Sensitive Leading Edge



2.04 OPERATION

- A. Hufgard is activated when the operators extend or stack the partition. No separate mechanism is required.
1. The Hufgard safety system shall stop the forward motion of an electrically operated partition with a force of 9 lbs. [4.08 kg] applied to the leading edge.
 - a. The optional pressure sensitive edge shall extend a nominal 7" [178] from the lead panel edge and provide 5" [127] of travel to cushion impact and absorb the forward motion of the partition during stopping. The pressure sensitive edge is active only during partition extension (when the partition is closing the opening).
 - b. The optional floor mats in the stack area shall stop the stacking and extending motion of the partition with 5 lbs. per sq. inch [.0035 kg per sq. mm] of force applied to the mat.
- B. When the partition stops due to an obstruction, it cannot be restarted until the obstruction is removed. Once the area has been cleared, Hufgard reset is accomplished by turning the key off or reversing the key. To protect the drive system, there shall be a 1-1/2 second delay before the partition will reverse or start.

3.01 INSTALLATION

- A. Install in accordance with manufacturer's instructions. Installation to be by an authorized factory-trained installer.
- B. Hufgard safety system is only to be used with **Hufcor** operable partitions.

The manufacturer reserves the right to improve and change product without notice.

Worldwide headquarters:

Hufcor Inc.
P.O. Box 591
Janesville, WI USA 53547-0591
1-800-542-2371 ext. 214; 1-608-756-1241
FAX: 1-608-758-8253
E-mail: info@hufcor.com
website: www.hufcor.com